

4 Line Controlled Base Without Talk Through

4.1 General

This installation contains a transmitter and receiver which may or may not be on the same frequency, thus simultaneous transmission and reception is not possible. When the transmitter is keyed, the coaxial relay is also energised. When the relay is in its rest position, signals from the aerial are passed to the receiver and the demodulated output is fed via 600 ohm lines to the RCU.

The receiver is disabled when the transmitter is energised to prevent the receiver mute opening from RF due to lack of isolation in the relay, direct radiation or the noise skirt of the dual frequency link.

Since the base station may be controlled via a 2-wire line and a 4-wire to 2-wire hybrid, there is a possibility of system oscillation if the receiver is not disabled during transmit. This occurs when the transmit energy enters the receiver and produces an audio response which can pass from the receive to the transmit audio part of the hybrid (impedance imbalance, etc).

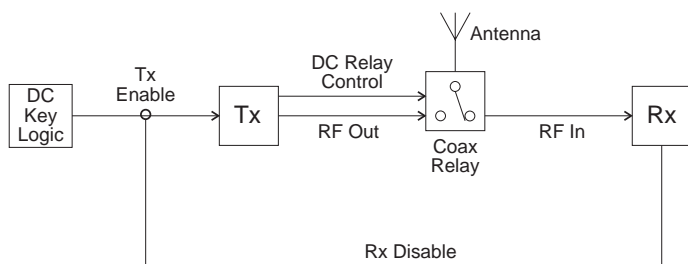


Figure 4.1 Basic Configuration

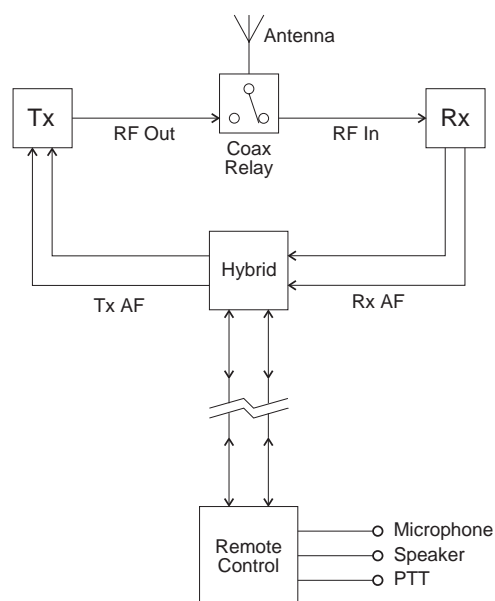


Figure 4.2 Remote Line Controlled Base Station

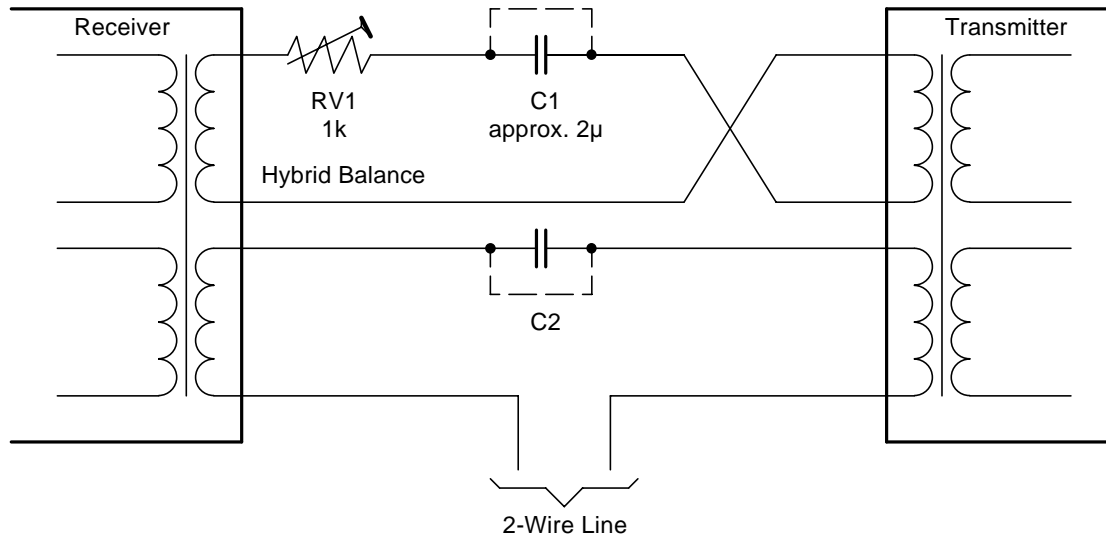


Figure 4.3 4-Wire to 2-Wire Converter

4.2 Transmitter Tail Timer

If the transmitter has the tail timer enabled:

- the receiver disable timer must be set so that $t_{Rx/Dis} > t_{Tx/Tail}$;

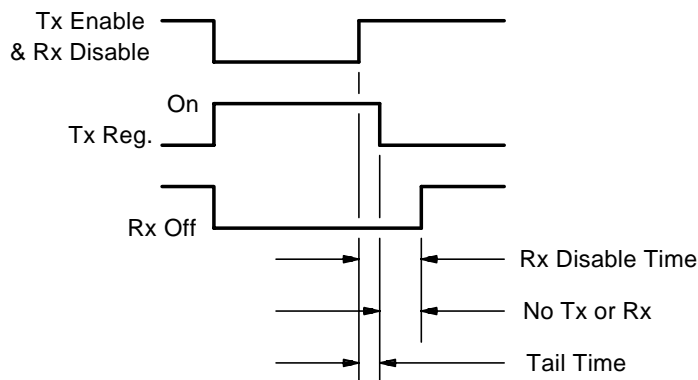


Figure 4.4 Receiver Disable Time vs Tail Time

- if the system configuration also uses an aerial changeover relay as well as the tail timer, the changeover relay must be driven from the relay driver (Q250) in the audio processor, rather than by Tx-Key or Tx-Enable; this output is available on pin 9 of the T800-03-000 auxiliary D-range (D-range 2);
- depending on tail time requirements, it is possible for the transmitter tail time to exceed the receiver disable time capability; in this situation the receiver disable line should also be driven from relay driver Q250 (D-range 2 pin 9).